

made
in
Germany

UNIQUE SHALLOW-DIP-TECHNOLOGY + CONTACT HEAT
STAY-COOL EDGE



TEPPANYAKI SPECIFICATIONS

Size: 31-1/2" x 23-5/8" x 2" H | 80 x 60 x 5 cm H
Required install space H: 4" plus clearance.

Will not fit over 24" exterior size, deep cabinets in a galley kitchen.

Material: Professional Food Grade Best Alloy
Premium German Stainless Steel type 304 (V2A)
5/32" thick (4 mm | 8 gauge)
cold pressed, hand-welded + hand-finished
Silk-brushed | color: Silver

Power: **1800 Watt** | 1.8 kWh on high
Electric: **120V** | **50-60 Hz** | **20 AMP**

ProStyle: 2250 Watt | 240V | 10 AMP

Analog temperature control:
1-10 dial | 2 indicator lights | thermostat
Contact Heat: 150°F to 450°F (65° - 230°C)

5 Year Limited Manufacturer Warranty

Material + Craftsmanship.

2 Year limited manufacturer Warranty

3 YEARS with registration.



Scan QR code.

VDE European Safety Approval.
Electrical + Electronic
Components: UL approved.

The manufacturer reserves the right to update, change, alter or discontinue any model without further notice.

For full warranty, policies and details refer to <https://www.cook-n-dine.com>

Scan the QR code (in the box) to register the appliance.

FORMS OVAL COOKING "WELL"

=> HOT SPOT cooking area

4-POINT-ONLY CORNER FASTENING

INDOOR + OUTDOOR USE | IPX4 RATED

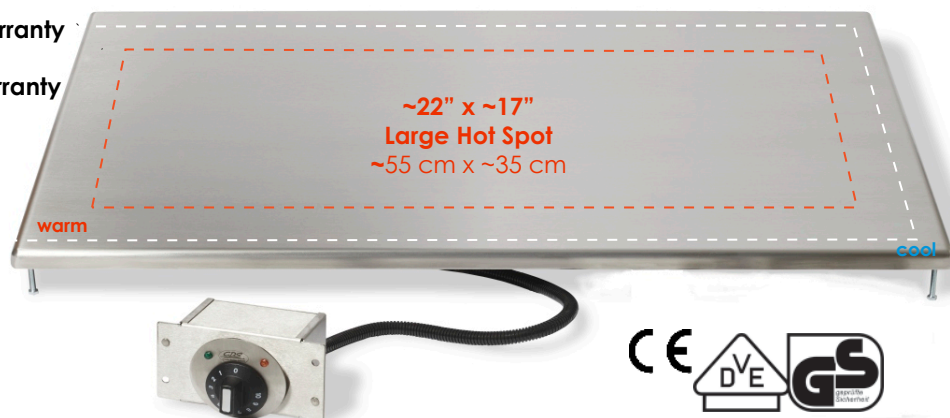
Also available as Portable Tabletop Model PU-80

3 MM SOLID STAINLESS STEEL TOP

TEMPERATURE CONTROL
with INDICATOR LIGHTS

10 ft POWER CORD included

Ship weight ~72 lbs | ship size 36" x 30" x 6"
Ship weight ~33 kg | ship size 92 x 75 x 18 cm



Stainless steel production uses 60-80% recycled raw material

“EDGE” COLLECTION

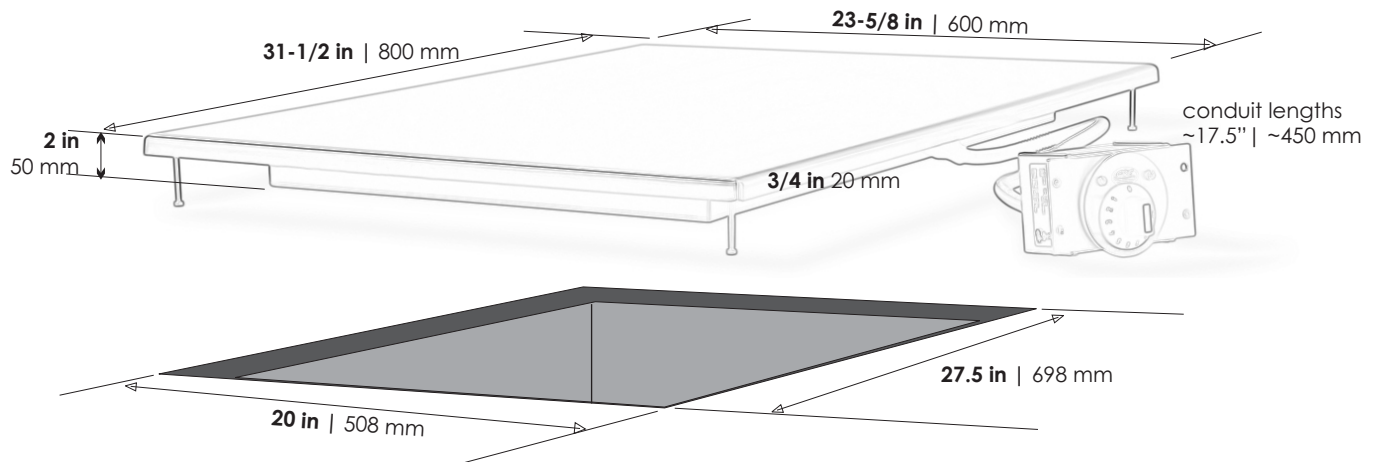
Electrical Rating: 120V | 1800 Watt | 20 AMP

50-60 Hz , 1.8 kWh on high | ProStyle 240V | 2250 Watt | 10 AMP

▶▶ check control box label Bolt length 2 in (50 mm); bolt diameter is 3/16"Ø (5 mm)

▶▶ drill 5/16"Ø (8 mm)

IMPORTANT: DO NOT DRILL NOR CUT ANY HOLES BEFORE UNIT IS PHYSICALLY PRESENT !!! DON'T CUT OFF BOLTS !!!



▶▶ **CAUTION: DO NOT SNAP, PULL or TWIST THE CONDUIT DURING INSTALLATION !!!**

Warranty expires if silver capillary tube (thermostat) inside the conduit is damaged during installation.

▶▶ The Control Box **MUST** be firmly fastened to a NON-MOVING surface.

1. Mark bolt positions and drill slightly larger than bolt diameter. Clean counter surface thoroughly!!!

2. Clean the underside of rim/edges of appliance top with rubbing alcohol or similar.

Optional: Apply thin bead of Silicone Sealant around the edges of the underside of the unit.

This protects from potential moisture intrusion, especially when installed outside without overhead cover.

!!! IMPORTANT: MAKE SURE TO PREVENT SILICONE FROM GETTING INTO THE BOLT HOLES !!!

3. Slide cook top into place. Do not apply force. Unit needs to go in without any resistance.

If applicable: Press evenly down to compress Silicone. Secure with supplied bolts and washers.

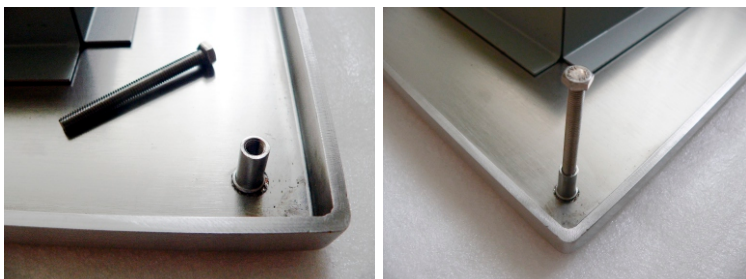
Find bolts, washers and extension for “B” control in a small plastic bag inside the box.

!!! IMPORTANT: Tighten bolts with hand tool only. Do not use any power tools!!!

4. Mark, drill and fasten the control box into place ▶▶ **REFER TO SEPARATE INSTALL SHEET FOR “B” CONTROL**

Optional: seal the round metal plate (box B) with Silicone to prevent potential moisture intrusion.

5. Connect the power cord VERY FIRMLY to the control box. IMPORTANT: Check control box label for correct voltage!!! Connect the electrical 3-prong plug to a properly grounded power outlet.

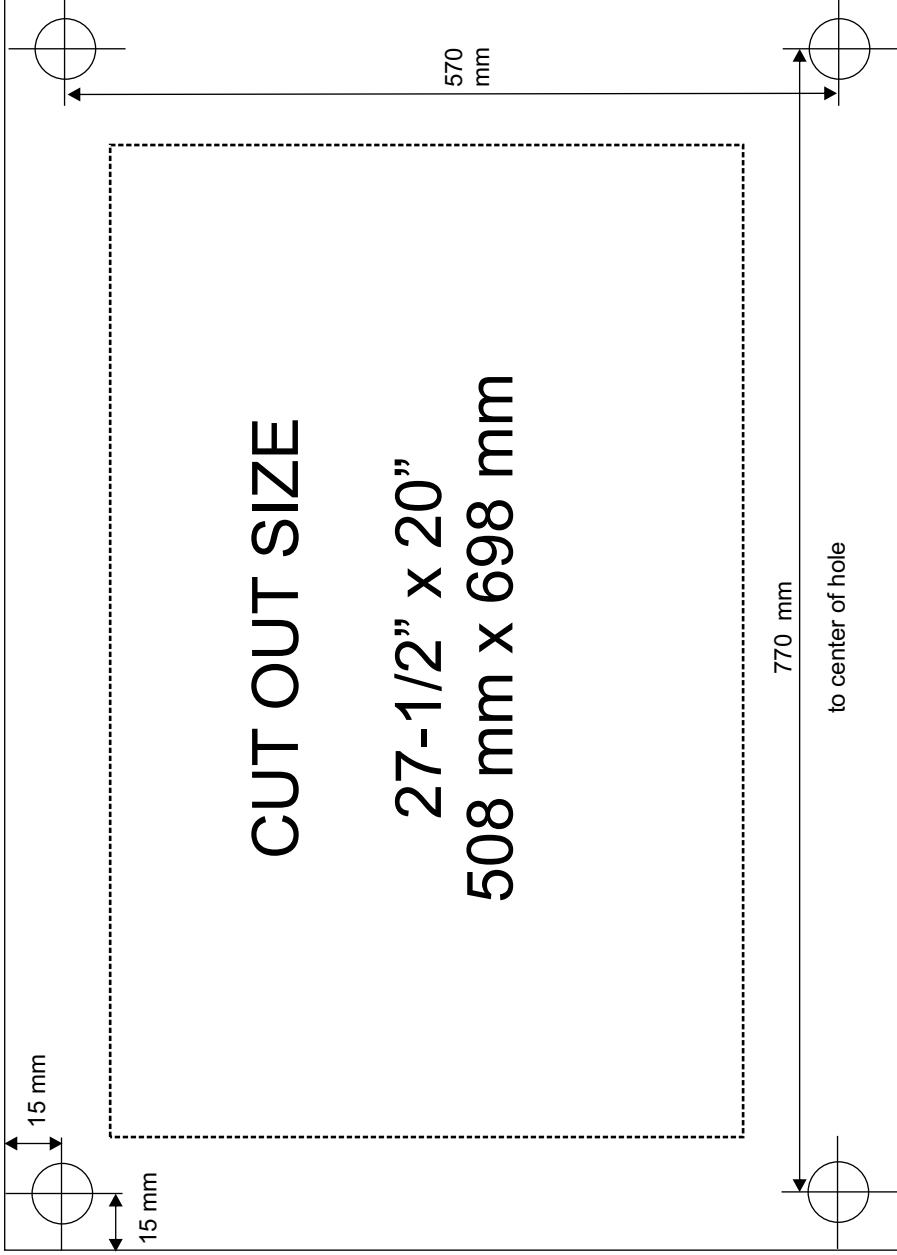


Shown above: portable model PU-80

Manufacturer reserves the right to change, alter or discontinue any model without notice.

Cook-N-Dine®

31.5 in | 800 mm



23-5/8 in | 600 mm

Edge
Collection

model
MO-E80

size:
800 mm x
600 mm

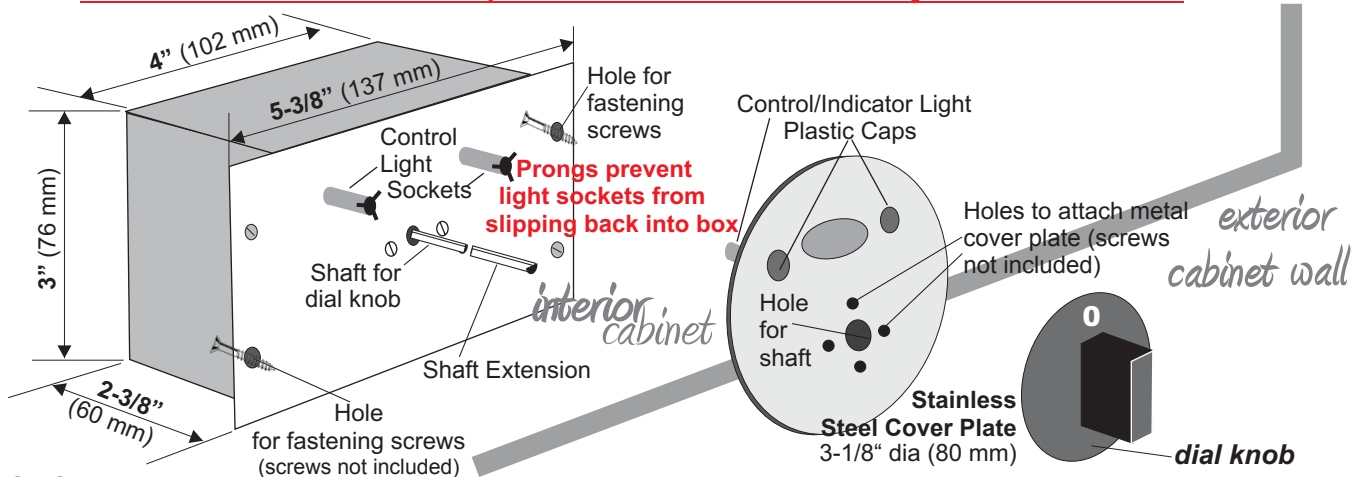
31-1/2" x
23-5/8"

Note: drawing is not to scale.



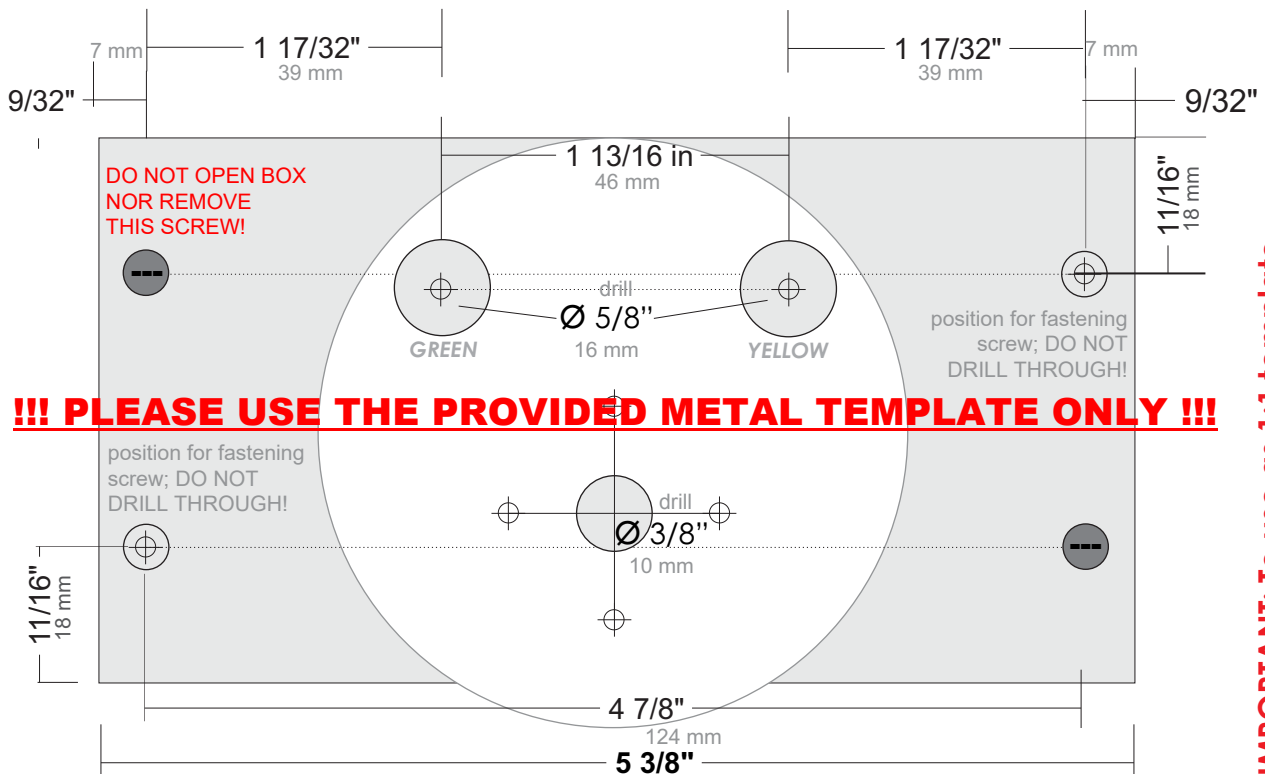
▶▶ **CAUTION: DO NOT SNAP, PULL or TWIST THE CONDUIT DURING INSTALLATION !!!**
 Warranty will expire if capillary tube inside the conduit is damaged during installation.
 Control box must be firmly fastened to a non-moving surface.

▶▶ **VERY IMPORTANT: Do not open the control box or warranty becomes void !!!**



DIRECTIONS:

1. Remove packaging and carefully pull off the DIAL KNOB ONLY while holding on to the round plate. Do not use force or tools!
2. Now separate the round steel plate from Control Light Sockets by carefully wiggling it away WITH the yellow and green light plastic caps. Hold one with two fingers and gently pull plate away; repeat with other. Yellow and green PLASTIC CAPS STAY IN PLACE in the plate.)
3. Mark all necessary holes utilizing the provided template below. Drill required holes and gently thread light sockets through their designated openings. **DO NOT SNAP THE PRONGS!** Now fasten the box to interior of cabinet wall or underside of counter top.
4. Gently pull light sockets out a little bit and re-connect with plastic caps in the metal plate; affix plate with two small flathead screws, or silicone into place. **CAUTION: DO NOT TWIST OR SNAP DELICATE WHITE WIRING OF INDICATOR LIGHTS.**
5. Connect the hollow extension to shaft if needed (packed with nuts + washers). Slide dial knob onto stem (match flat side of stem with flat side of female receptacle at back of knob). Do not use force. The "0" has to align centered below the gb logo; 12 o'clock



▶▶ 137 mm - PLEASE MEASURE ACROSS TO MAKE SURE TEMPLATE IS 1:1

IMPORTANT: To use as 1:1 template set "page scaling" to "none" when printing